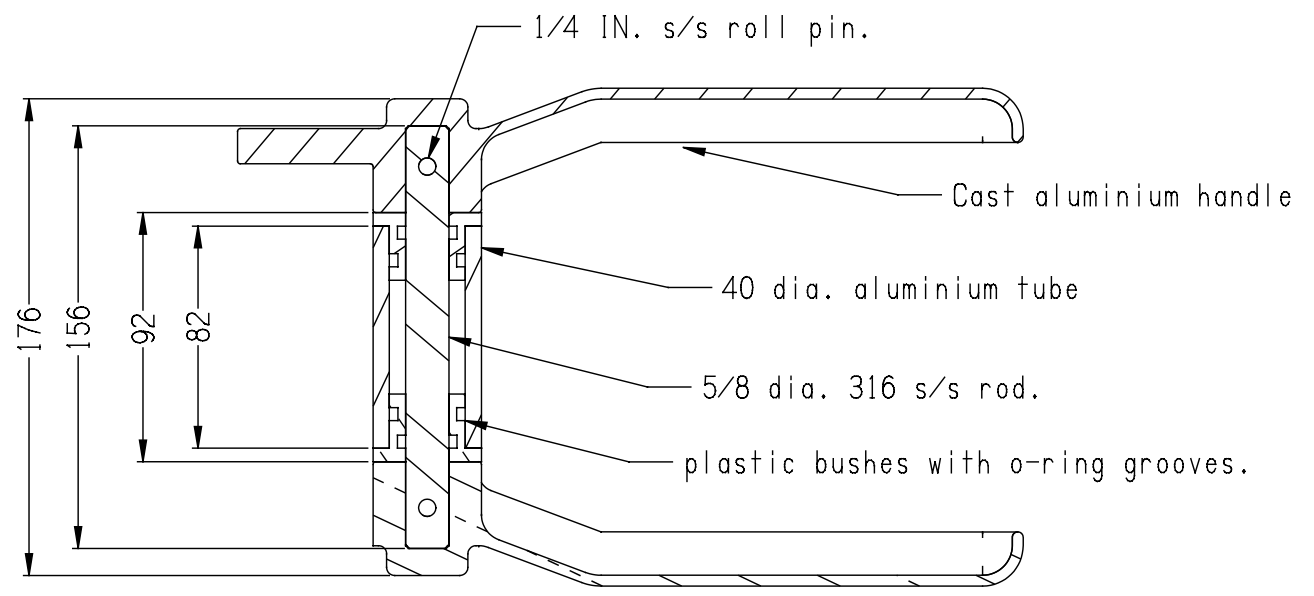


SECTION C-C



SECTION A-A

- notes:
1. all sharp edges are to be removed.
  2. plastic bushes with o-ring grooves are to be a firm fit in the aluminium tube and a sliding fit on the s/s rod.
  3. 1/4 IN. s/s roll pins are used to attach handles -only assemble with one.
  4. s/s rod is faced and chamfered both ends.
  5. holes for s/s roll pins are drilled in jig.
  6. 5/8 IN. hole in cast aluminium handles is to be drilled and reamed.

NO.	REVISIONS	DATE	BY	CKD	APP

SCALE	DATE
DRAWN P.Baily	15/8/02
MODIFIED I.S.	10/1/05
CHECKED	

APCO Engineering Pty Ltd

WATER TIGHT HATCH DOGGING HANDLE

DRG. No. WTD-001 P

A3 REV