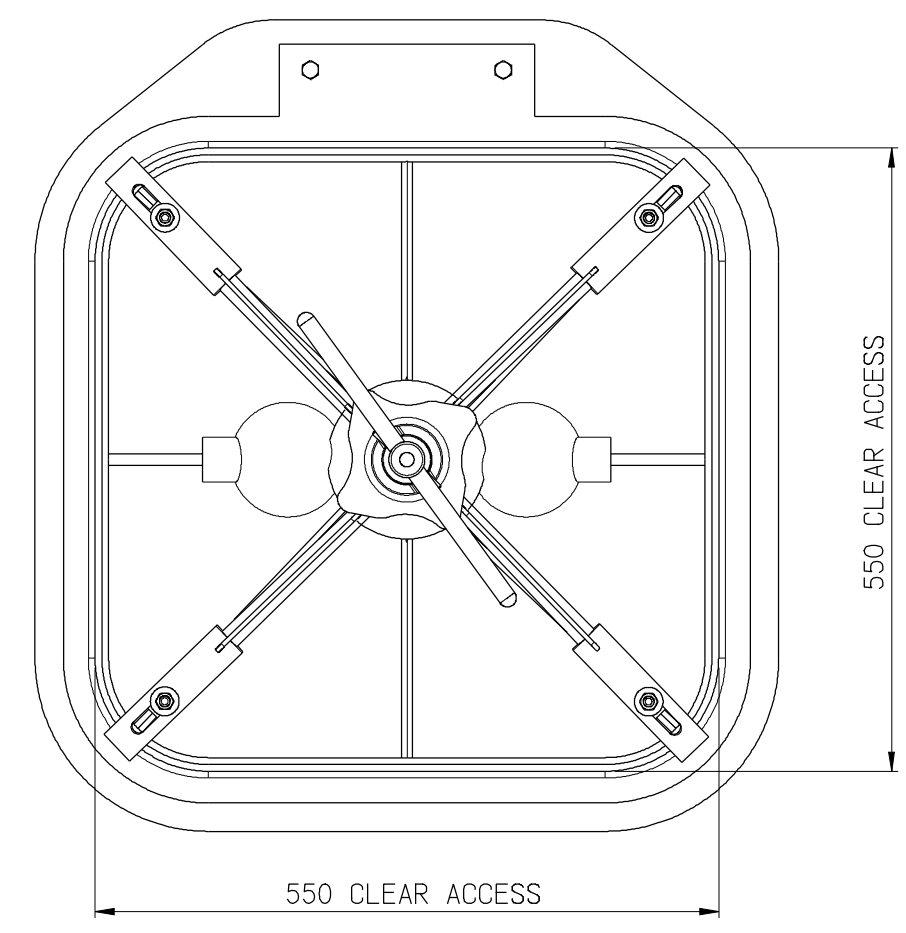
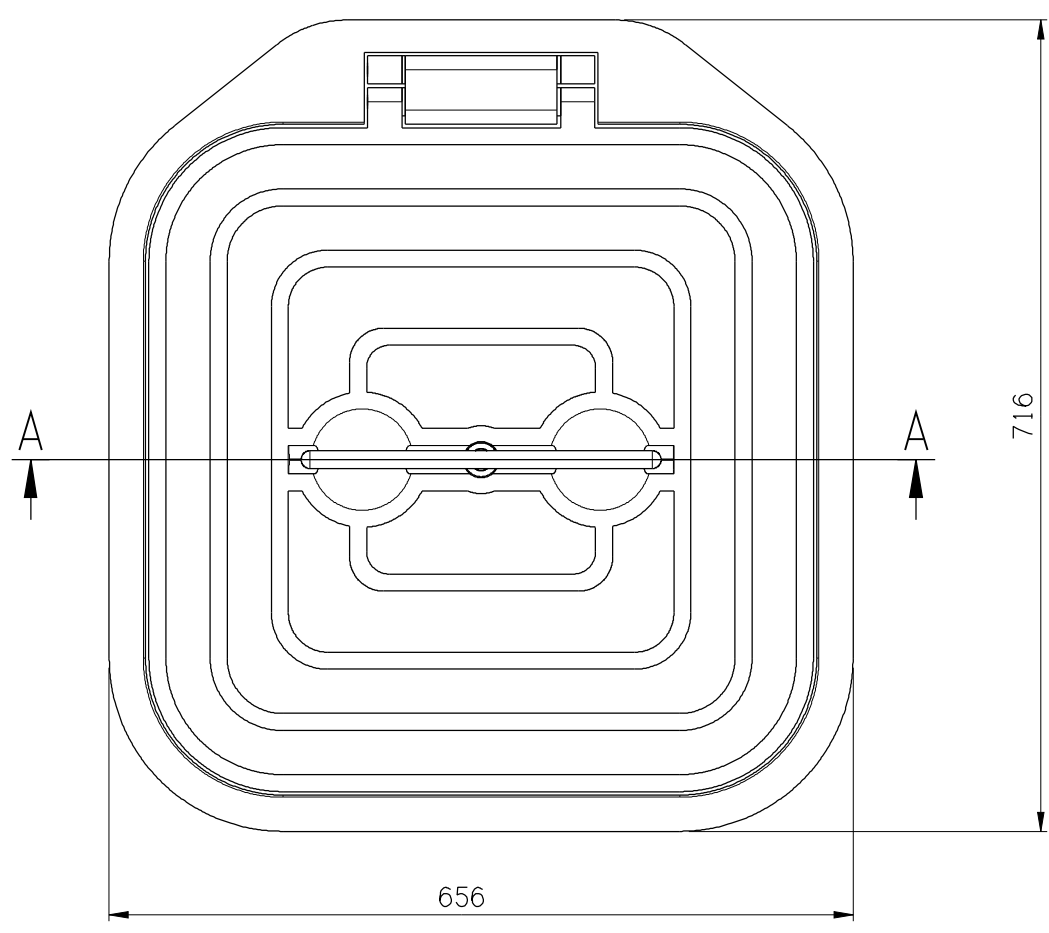


HATCH RING, LID, HUB & LOCKING ARMS CAST FROM AC601 ALUMINIUM  
 130MP<sub>a</sub> TENSILE  
 90MP<sub>a</sub> YIELD



NO.	REVISIONS	DATE	BY	CKD	APP	TOLERANCES (UND) X.XX ± 0.02   X.X° ± 0.1° X.X ± 0.05   X° ± 0.5° X ± 0.10 UNITS: MILLIMETRES (UND) BREAK ALL SHARP EDGES	SCALE	DO NOT SCALE	DATE	<b>APCO Engineering Pty Ltd</b> SQUARE HINGED HATCH (550MM) GENERAL ARRANGEMENT	DRG.No. 1911143080617	A3 REV 1 SHEET 01 OF 01
							DRAWN	M. PALASZEWSKI	08/06/17			
							CHECKED	A. LEFEVRE	08/06/17			
							APPROVED	N. ARNOLD	08/06/17			