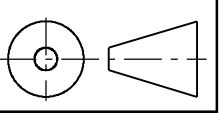


HATCH RING, HATCH, HUB & LOCKING ARMS CAST FROM AC 601 ALUMINIUM
 130 MP_a TENSILE
 90 MP_a YIELD

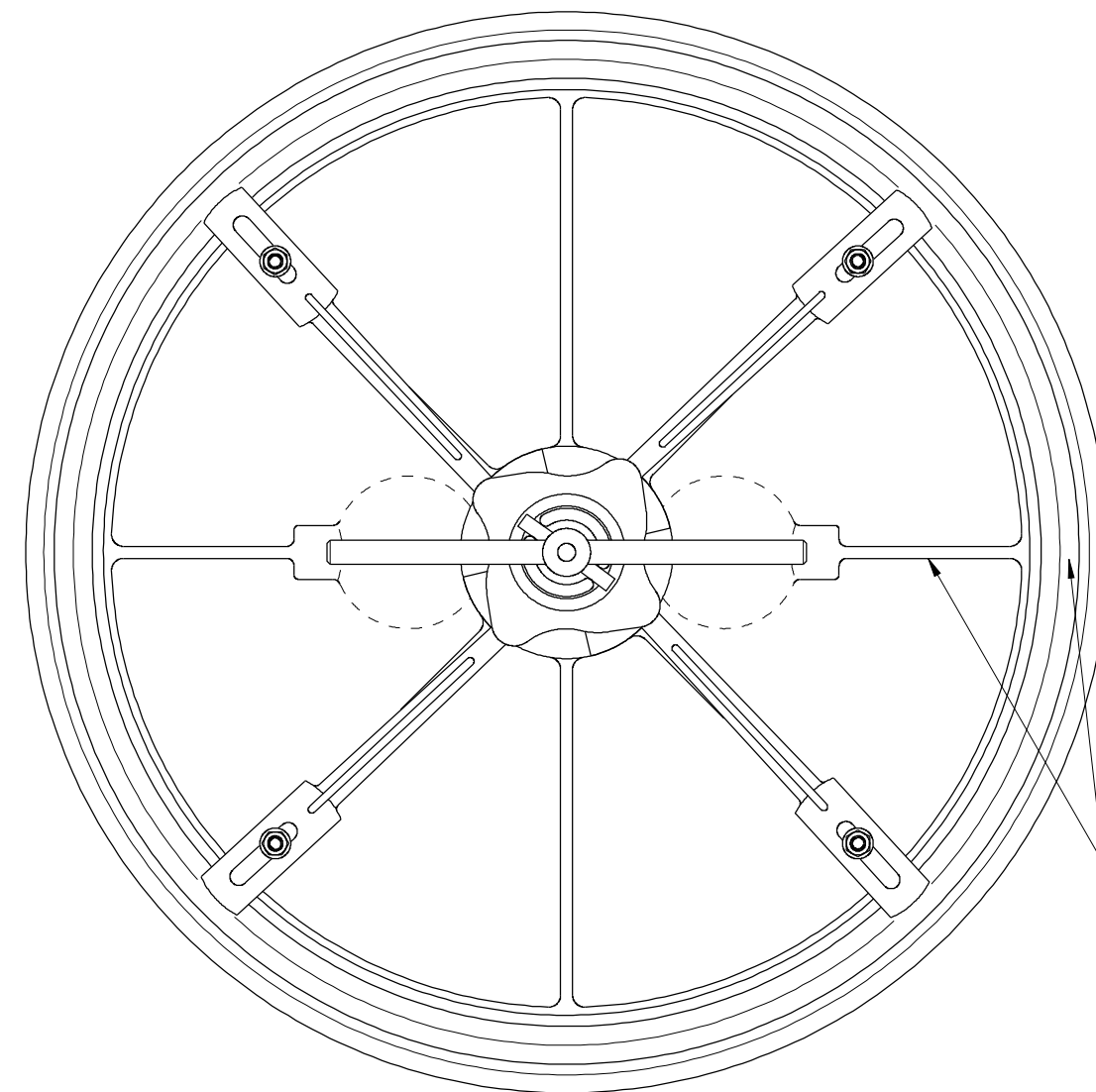
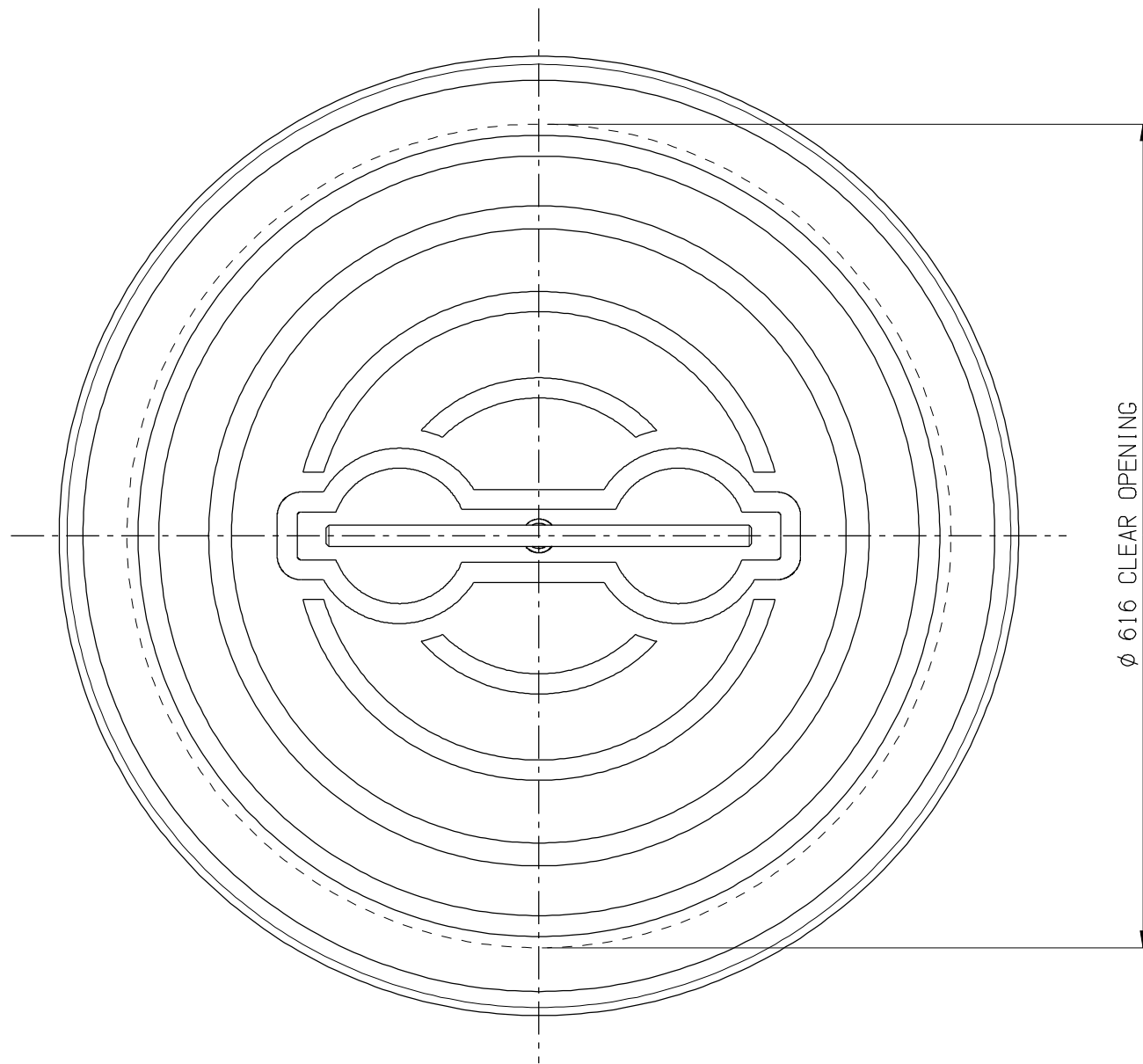
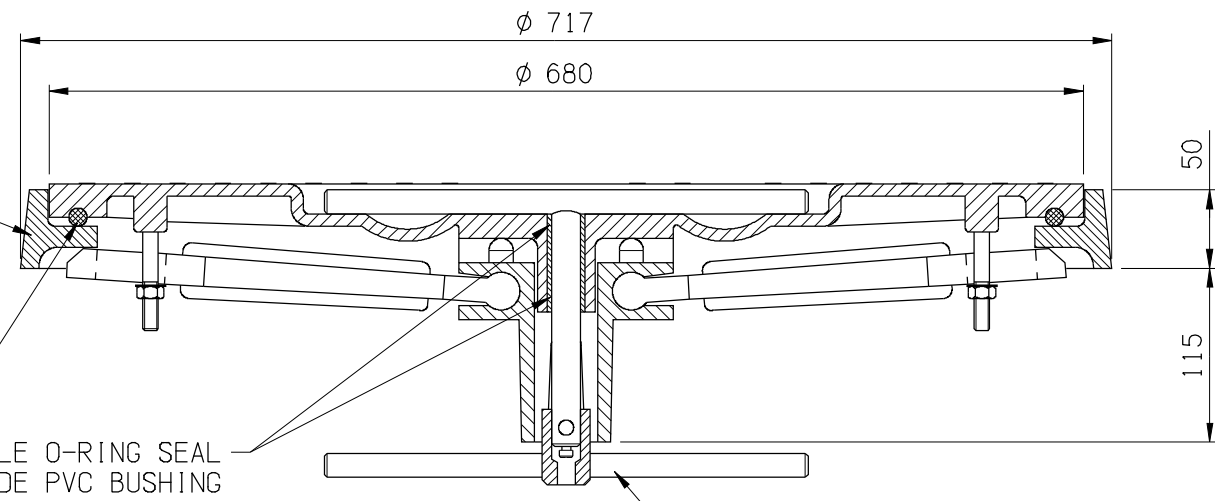


RAISED DECK HATCH RING
 WELDABLE ALUMINIUM

FOAM RUBBER SEAL

DOUBLE O-RING SEAL
 INSIDE PVC BUSHING

INTERNAL LOCKING HANDLE (OPTIONAL)



HATCH FITTED WITH
 3MM S/S WIRE
 CAPTIVE LINE
 (OPTIONAL)

NO.	REVISIONS	DATE	BY	CKD	APP

TOLERANCES (UMD)
 X.XX ± 0.02 | X.X° ± 0.1°
 X.X ± 0.05 | X° ± 0.5°
 X ± 0.10
 UNITS: MILLIMETRES (UMD)
 BREAK ALL SHARP EDGES

SCALE	DO NOT SCALE	DATE
DRAWN	M. PALASZEWSKI	08/06/17
CHECKED	A. LEFEVRE	08/06/17
APPROVED	N. ARNOLD	08/06/17

APCO Engineering Pty Ltd		
ROUND DECK HATCH (610MM) GENERAL ARRANGEMENT	DRG.No. 5913143080617	A3 REV 1 SHEET 01 OF 01