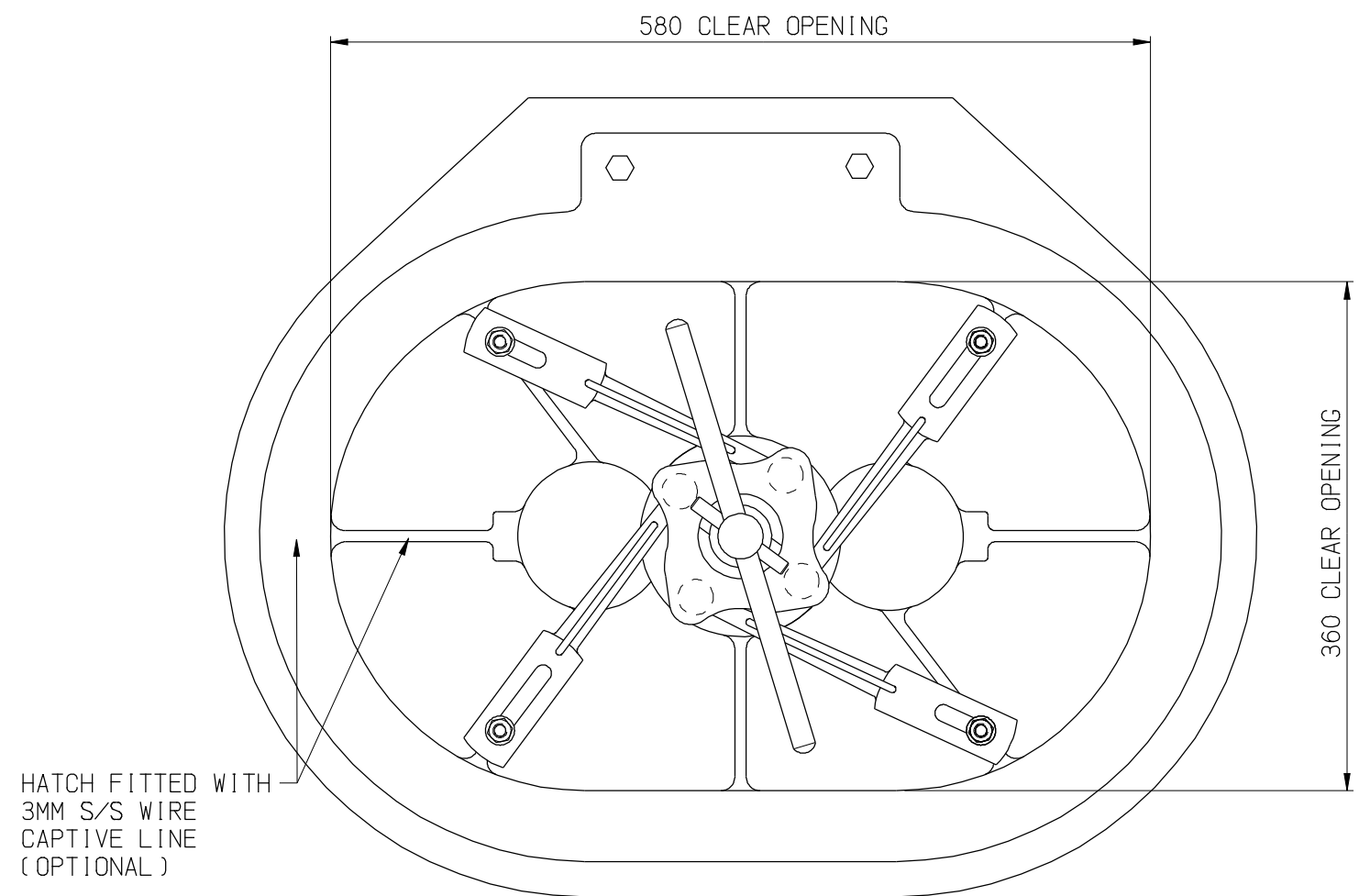
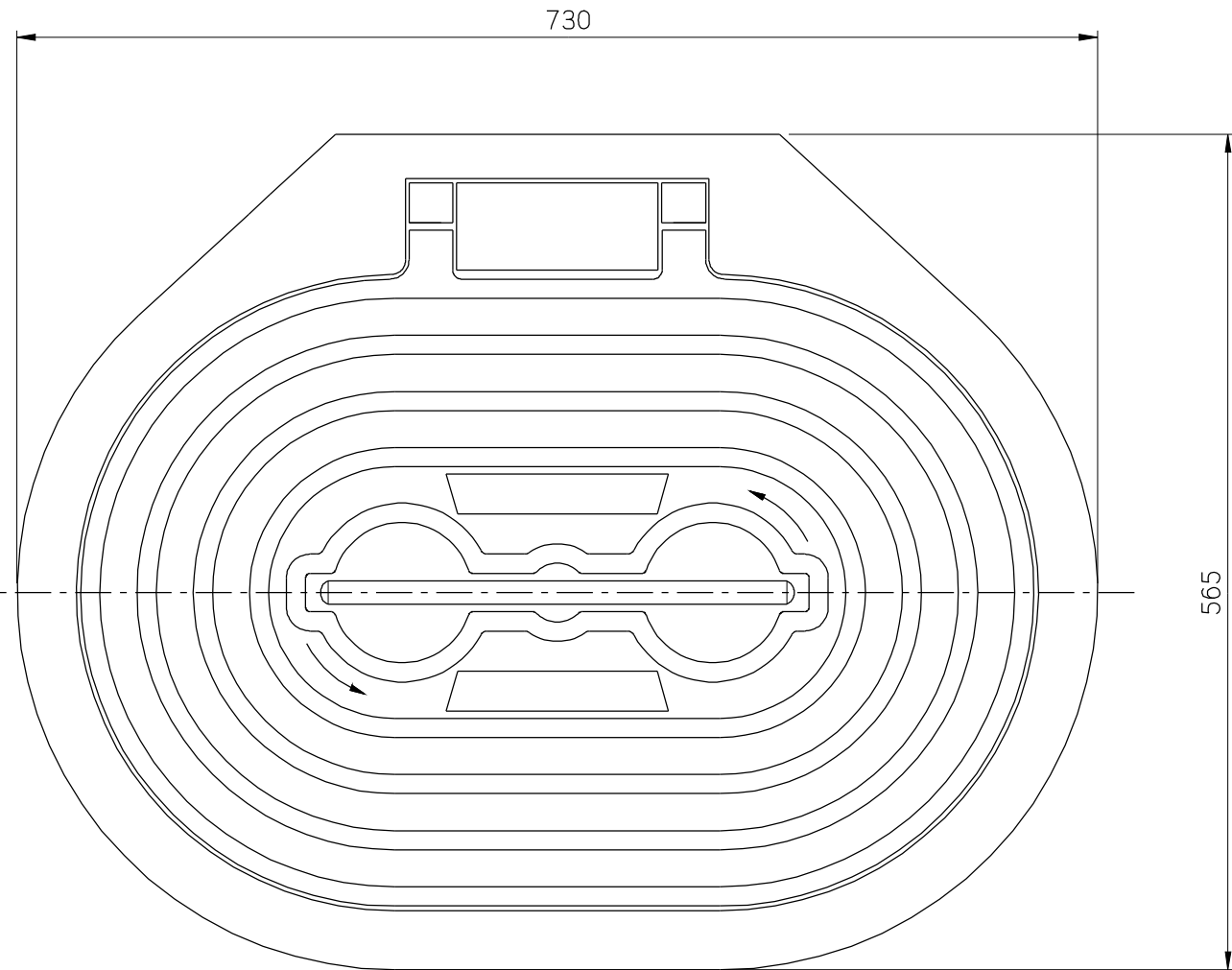
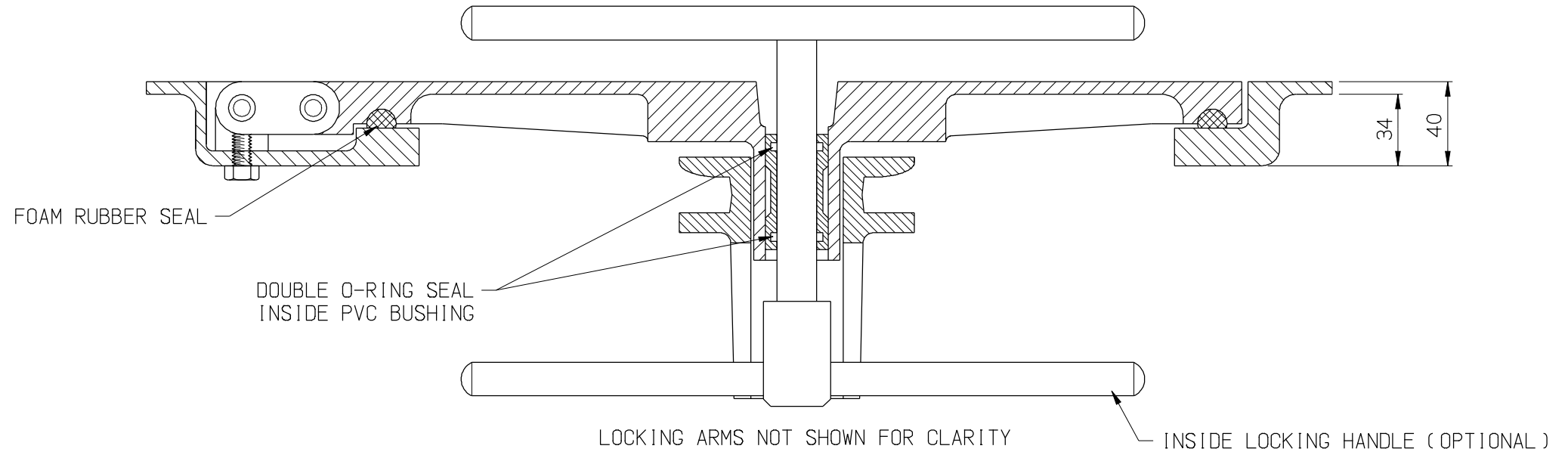
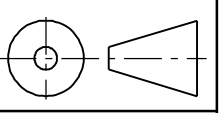


HATCH RING, HATCH, HUB & LOCKING ARMS CAST FROM AC601 ALUMINIUM
 130MP_a TENSILE
 90MP_a YIELD



NO.	REVISIONS	DATE	BY	CKD	APP

TOLERANCES (UND)		SCALE	DO NOT SCALE	DATE
X.XX ± 0.02	X.X° ± 0.1°	DRAWN	M. PALASZEWSKI	09/06/17
X.X ± 0.05	X° ± 0.5°	CHECKED	A. LEFEVRE	09/06/17
X ± 0.10		APPROVED	N. ARNOLD	09/06/17

APCO Engineering Pty Ltd		DRG.No.	A3
OVAL HINGED HATCH (580 X 360MM) GENERAL ARRANGEMENT		1613143090617	REV 1
		SHEET 01 OF 01	

UNITS: MILLIMETRES (UND)
 BREAK ALL SHARP EDGES