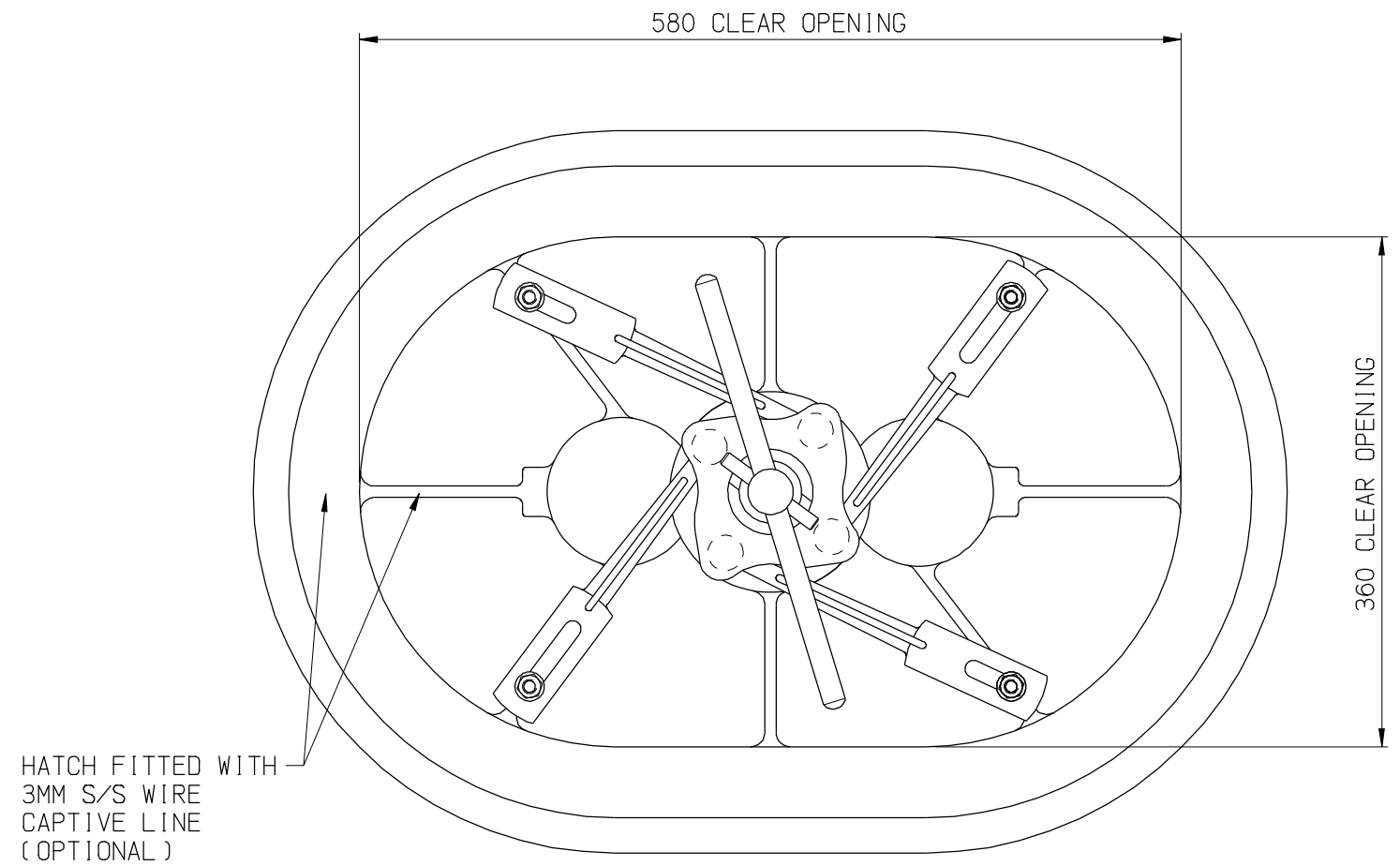
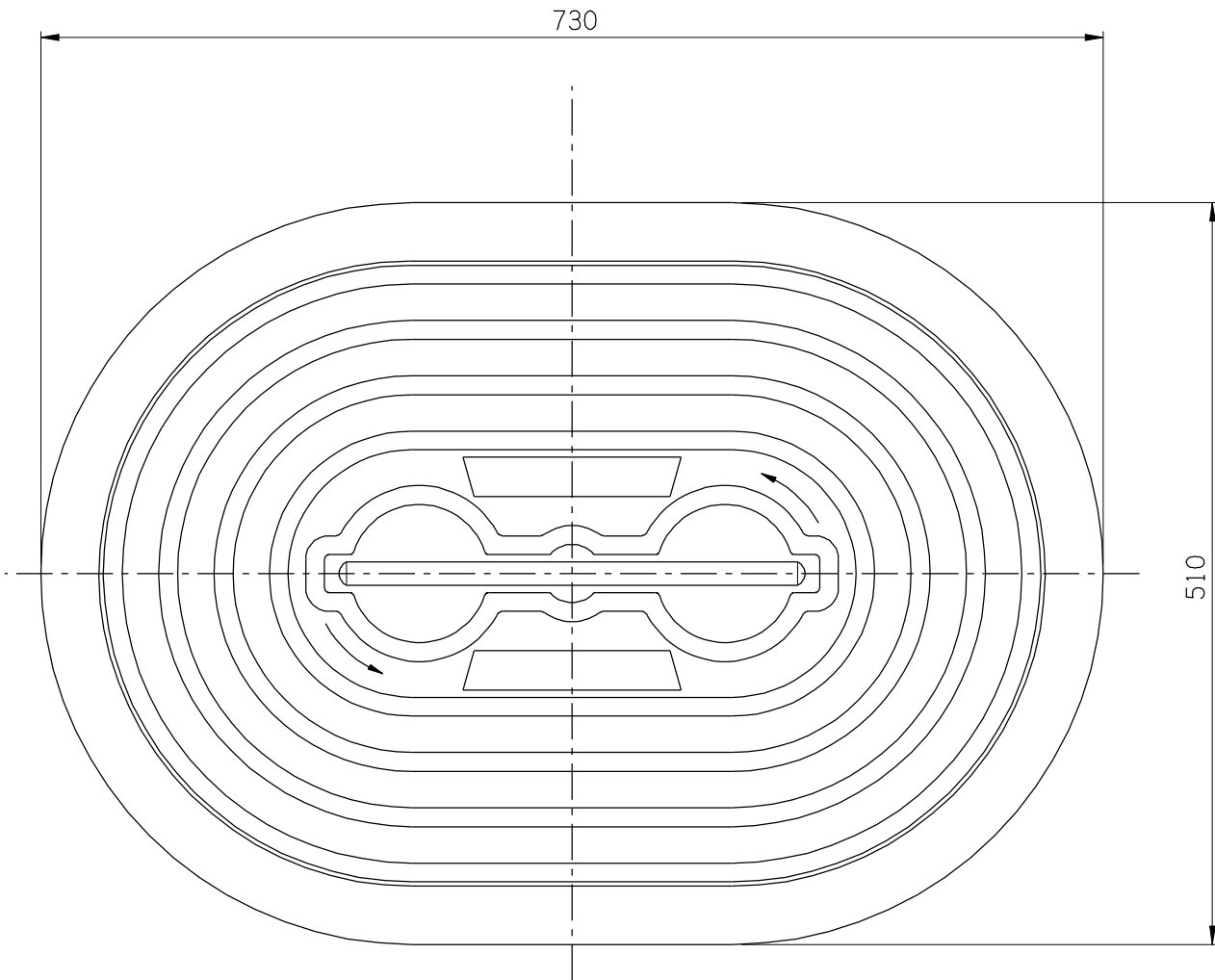
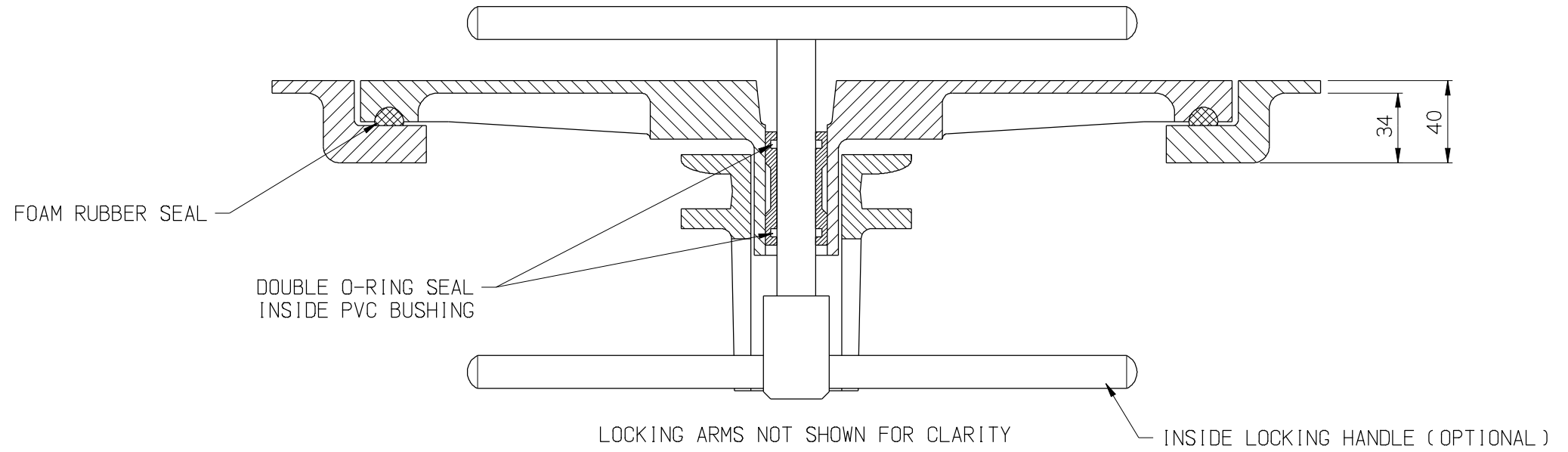
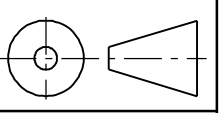


HATCH RING, HATCH, HUB & LOCKING ARMS CAST FROM AC601 ALUMINIUM
 130MP_a TENSILE
 90MP_a YIELD



NO.	REVISIONS	DATE	BY	CKD	APP

TOLERANCES (UND)
 X.XX ± 0.02 | X.X° ± 0.1°
 X.X ± 0.05 | X° ± 0.5°
 X ± 0.10
 UNITS: MILLIMETRES (UND)
 BREAK ALL SHARP EDGES

SCALE	DO NOT SCALE	DATE
DRAWN	M. PALASZEWSKI	09/06/17
CHECKED	A. LEFEVRE	09/06/17
APPROVED	N. ARNOLD	09/06/17

APCO Engineering Pty Ltd		
OVAL HATCH (580 X 360MM) GENERAL ARRANGEMENT	DRG.No. 5410143090617	A3 REV 1 SHEET 01 OF 01