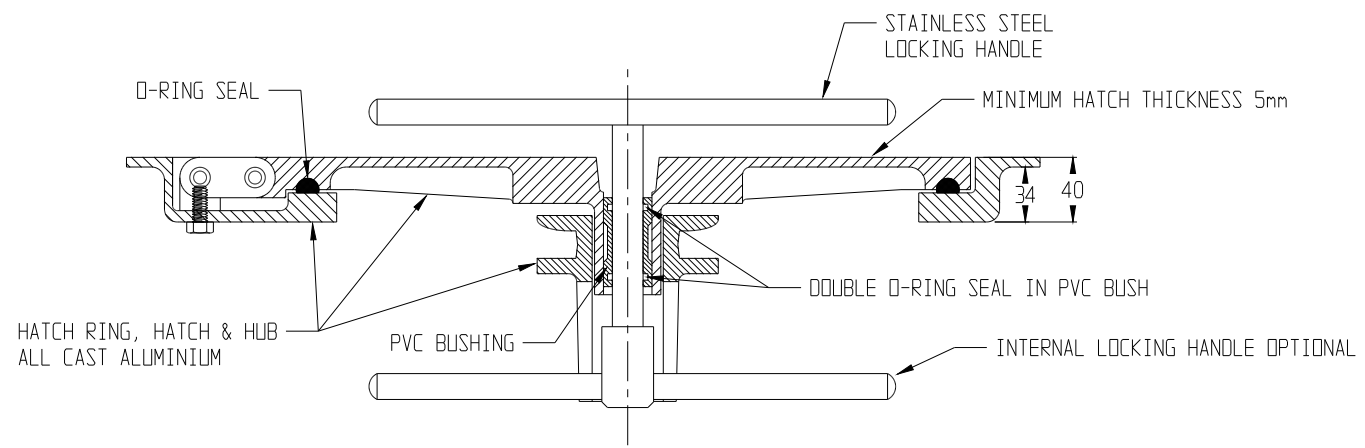
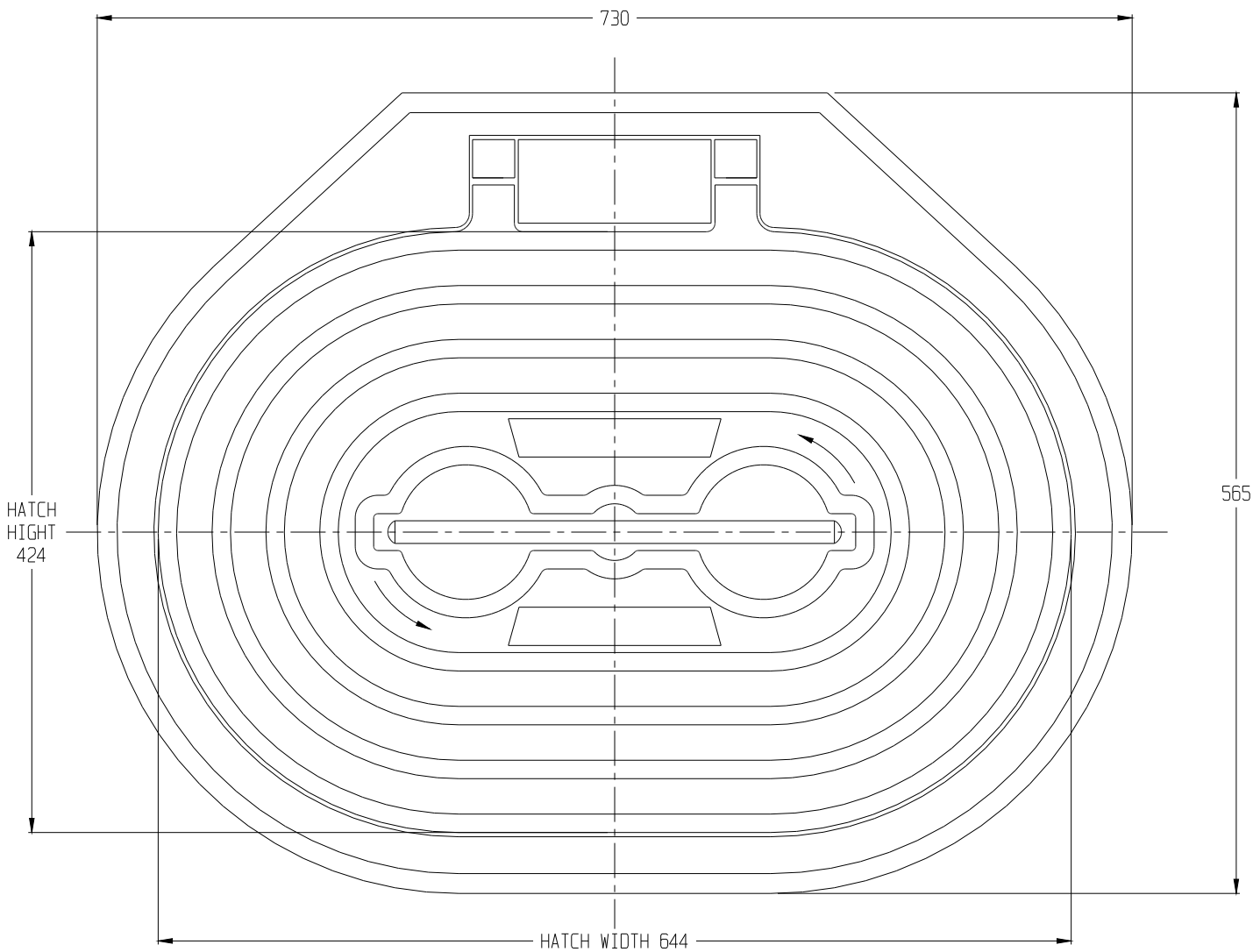


HATCH RING, HATCH, HUB & LOCKING ARMS - AC 601 ALUMINIUM  
 130 MP<sub>a</sub> TENSILE  
 90 MP<sub>a</sub> YIELD



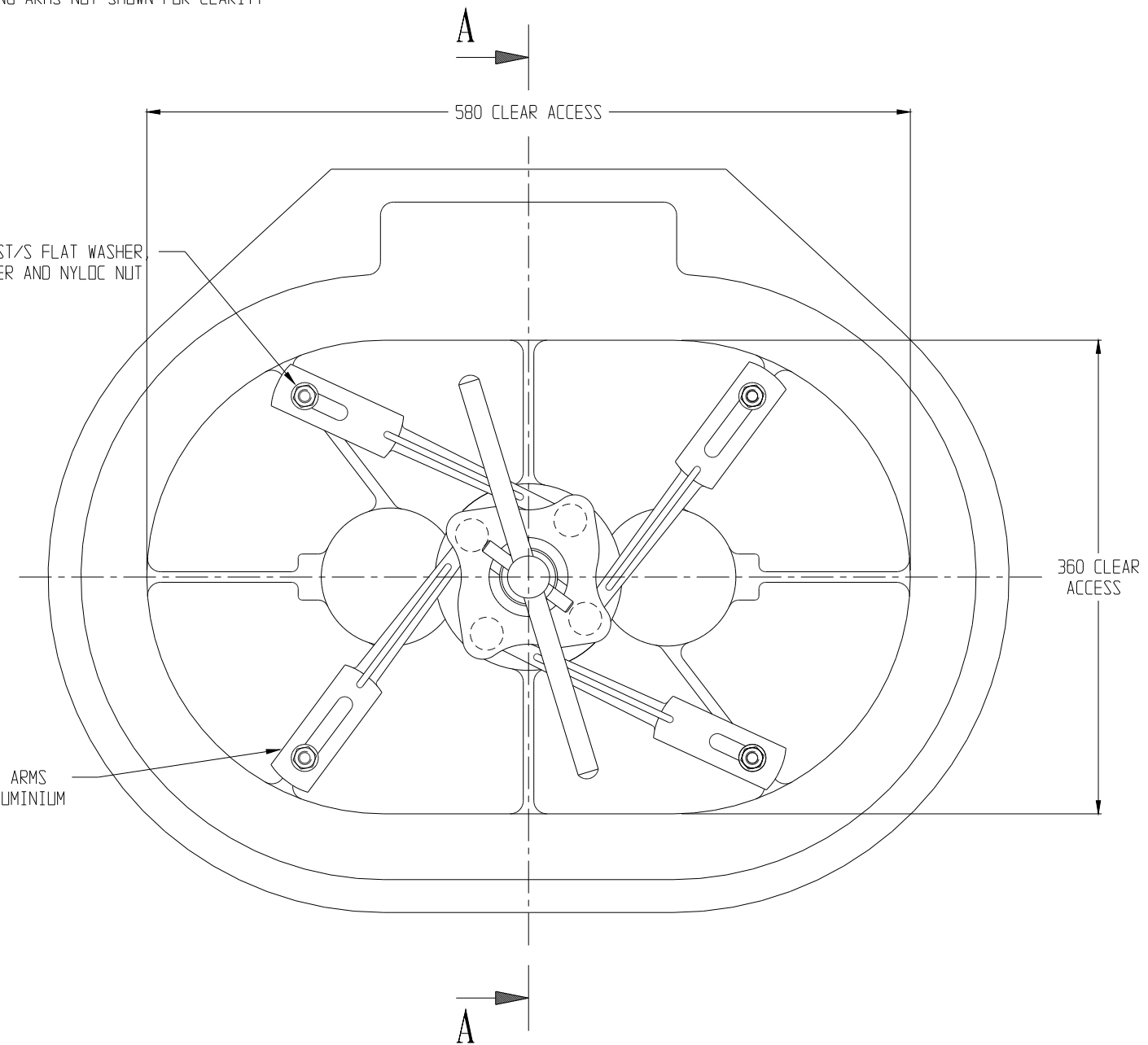
**SECTION A-A**  
 LOCKING ARMS NOT SHOWN FOR CLARITY



**TOP SIDE**  
 HANDLE IN LOCKED POS'N.

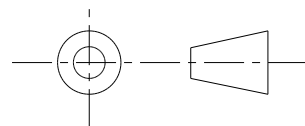
3/8" BSW STUD, ST/S FLAT WASHER,  
 NYLON FLAT WASHER AND NYLOC NUT  
 316 ST/S TYP.

LOCKING ARMS  
 CAST ALUMINIUM



**UNDER SIDE**  
 SHOWN IN UNLOCKED POSITION

○	REFER TO DRAWING MIS0076-03 FOR REVISED HINGE ASSEMBLY					
○						
○						



SCALE	N. T. S.	DATE
DRAWN	P BAILY	15/6/10
CHECKED		



APCO Engineering Pty Ltd

DRG.No.

A3

REV A